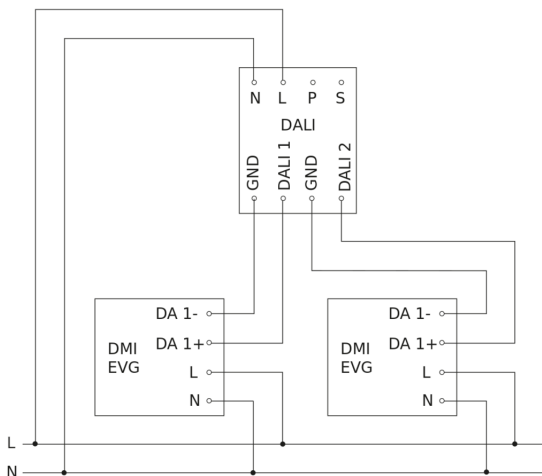


Dual HF

DALI-2 APC - in-ceiling installation
EAN 4007841 079499
Article number 079499



Master circuit diagram



Master/slave interconnection circuit diagram

